

- B8D load cells are available in the capacities 0.25Klb~20Klb; 0.5t~5t.
- Stainless steel construction, potted by adhesive inside, oil proof, waterproof, anti-corrosive gas and medium making it suitable for all kinds of environments.
- Single shear beam, easy for installation, suitable for electronic truck scales, automobile testing facilities, hopper scales and other electronic weighing devices.
- Safe and anti-explosive product, can be used in atrocious environment and hazardous areas.

Features

- Capacity: 0.25Klb~20Klb; 0.5t~5t
- High accuracy
- Stainless steel construction
- Low profile
- OIML Certificates No:R60/2000-CNI-06.05
- PTB Approval No:D09-05.19

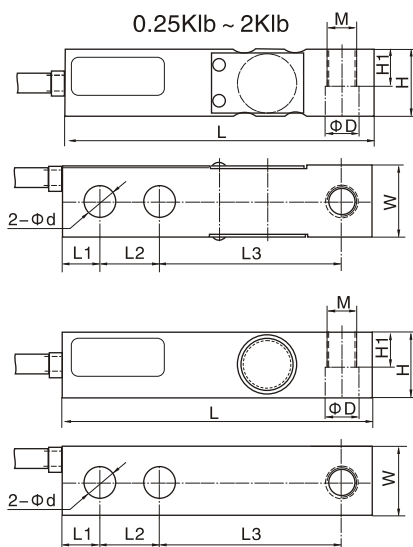
Accessories

- BJ-8-202 • BJ-8-219 • BJ-8-205 • BJ-8-220
- BJ-8-209 • BJ-8-221 • BJ-8-211 • BY-8-104
- BJ-8-212 • BM-8-104

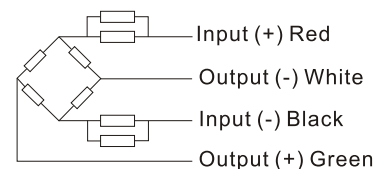
Specifications

Capacity	t	0.5/1/2/5				
		Klb	0.25/0.5/0.75/1/1.5/2/2.5/2.5KSE/3/4/5/5KSE/7.5/10/15/20			
Accuracy			C2	C3	A5M	B10M
Approvals				OIML R60 C3		
Maximum number of verification intervals	n _{max}	2000	3000	5000	10000	
Minimum load cell verification interval	v _{min}	E _{max} /5000	E _{max} /10000	E _{max} /15000	E _{max} /10000	
Combined error	(%FS)	≤±0.030	≤±0.020	≤±0.026	≤±0.050	
Creep	(%FS/30min)	≤±0.024	≤±0.016	≤±0.017	≤±0.040	
Temperature effect on sensitivity	(%FS/10°C)	≤±0.017	≤±0.011	≤±0.013	≤±0.040	
Temperature effect on zero	(%FS/10°C)	≤±0.023	≤±0.015	≤±0.014	≤±0.020	
Output sensitivity	(mv/v)	3.0±0.008				
Input resistance	(Ω)	350±3.5				
Output resistance	(Ω)	350±3.5				
Insulation resistance	(MΩ)	≥5000(50VDC)				
Zero balance	(%FS)	1.0				
Temperature, compensated	(°C)	-10~+40				
Temperature, operating	(°C)	-35~+65				
Excitation, recommended	(V)	5~12(DC)				
Excitation, max	(V)	18(DC)				
Safe overload	(%FS)	150				
Ultimate overload	(%FS)	300				

Outline Dimension mm(inch)



Capacity	Dimension									
	L	L1	L2	L3	d	H	W	D	H1	M
0.25Klb, 0.5Klb 0.75Klb, 1Klb	130 (5.12)	15.7 (0.62)	25.4 (1.0)	76.2 (3.0)	13.46 (0.52)	30.2 (1.19)	30.7 (1.20)	13.4 (0.53)	16 (0.63)	M12-6H 1/2-20UNF-2B
0.5t, 1t, 2t, 2.5Klb, 3Klb, 4Klb, 5KSE	130 (5.12)	15.7 (0.62)	25.4 (1.0)	76.2 (3.0)	13.4 (0.53)	31.32 (1.23)	31.32 (1.23)	13.4 (0.53)	15.75 (0.62)	M12-6H 1/2-20UNF-2B
3t, 5t 2.5KSE, 5K, 7.5K, 10K, 15K	171 (6.73)	19 (0.75)	38.1 (1.5)	95.2 (3.75)	20.65 19.81	36.8 (1.45)	36.8 (1.45)	20.65 19.81	17.78 (0.7)	M20 × 2.5-6H 3/4-15UNF-2B
20K	222.25 (8.75)	25.4 (1.0)	50.8 (2.0)	120.7 (4.75)	26.9 (1.06)	49.5 (1.95)	49.5 (1.95)	27.56 (1.08)	24.78 (0.97)	M24 × 2-6H 1-12UNF-2B



Wiring:

Adopt shielded, 4 conductor cable: Φ 5mm
Standard cable length: 6m